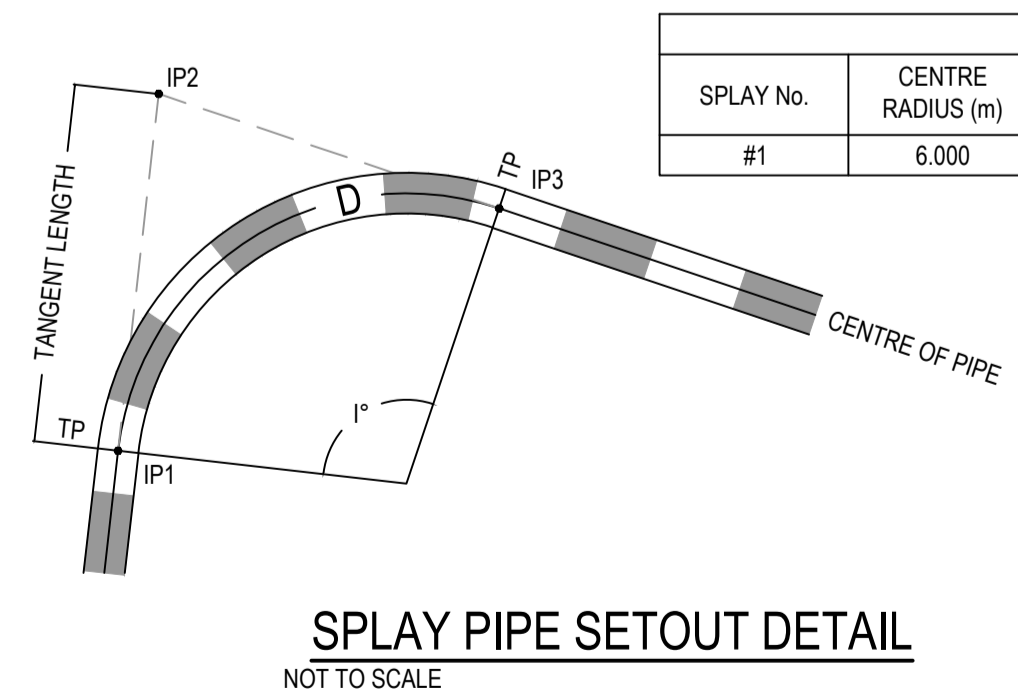


LEGEND - LAYOUT PLAN	
ALL PROPOSED, FUTURE & EXISTING SERVICE LOCATIONS ARE SHOWN INDICATIVELY	
	STORMWATER DRAIN, PIT & PROPERTY INLET
	MAIN DRAIN
	SWALE DRAIN
	SEWER & MAINTENANCE STRUCTURES
	HOUSE DRAIN
	ELECTRICITY (U.GROUND)
	ELECTRICITY (O.HEAD)
	GAS
	TELSTRA
	OPTIC FIBRE
	WATER
	RECYCLE WATER
	AG. DRAIN
	SERVICE CONDUITS
	TACTILE PAVERS
	EXISTING STORMWATER DRAIN
	EXISTING MAIN DRAIN
	EXISTING SWALE DRAIN
	EXISTING SEWER & MAINTENANCE STRUCTURES
	EXISTING HOUSE DRAIN
	EXISTING ELECTRICITY (UNDER GROUND)
	EXISTING ELECTRICITY OVERHEAD
	EXISTING GAS
	EXISTING TELSTRA
	EXISTING OPTIC FIBRE
	EXISTING WATER
	EXISTING RECYCLED WATER
	EXISTING AG. DRAIN
	EXISTING SERVICE CONDUITS
	EXISTING TACTILE PAVERS
	FUTURE STORMWATER DRAIN
	FUTURE MAIN DRAIN
	FUTURE SWALE DRAIN
	FUTURE SEWER & MAINTENANCE STRUCTURES
	FUTURE HOUSE DRAIN
	FUTURE ELECTRICITY (UNDER GROUND)
	FUTURE ELECTRICITY OVERHEAD
	FUTURE GAS
	FUTURE TELSTRA
	FUTURE OPTIC FIBRE
	FUTURE WATER
	FUTURE RECYCLED WATER
	FUTURE AG. DRAIN
	FUTURE SERVICE CONDUITS
	FUTURE TACTILE PAVERS
	ZERO LOT LINES
	141.34 EXISTING SURFACE LEVEL
	FS140.35 FINISHED BUILDING LINE LEVEL
	FR157.40 FINISHED RIDGE LINE LEVEL
	CH270.00 CHAINAGE
	TW159.60 TOP OF RETAINING WALL LEVEL
	BW159.00 BOTTOM OF RETAINING WALL LEVEL
	EXISTING RETAINING WALL
	RETAINING WALL
	STRUCTURE RETAINING WALL
	STRUCTURAL FILL > 200mm DEEP
	EXISTING STRUCTURAL FILL > 200mm DEEP
	CUT > 200mm DEEP
	EXISTING CUT > 200mm DEEP
	DIRECTION OF FALL
	OVERLAND FLOW
	GRADED IN DIRECTION OF FALL TO LEVEL INDICATED
	EDGE STRIP, SUBSOIL DRAIN, "NO ROAD" SIGN & BARRIER
	EXISTING TREE TO BE RETAINED
	EXISTING TREE TO BE REMOVED
	PERMANENT SURVEY MARK
	TEMPORARY BENCH MARK
	PROPOSED DRIVEWAY & FOOTPATH
	PROPOSED INDUSTRIAL DRIVEWAY
	PROPOSED SHARED FOOTPATH
	PROPOSED ROAD PAVING
	EXISTING ROAD PAVING

ROAD LAYOUT TABLE									
ROAD NAME	ROAD CLASSIFICATION	RESERVE WIDTH (m)	ROAD WIDTH (m)			KERB TYPE		VERGE WIDTH (m)	
			LIP to LIP	INV to INV	BACK to BACK	NTH/WEST	STH/EAST	NTH/WEST	STH/EAST
BROOKSBY CIRCUIT (LOTS 1309-1314)	A51	16.50	6.70	7.30	7.90	SM2	SM2	4.30	4.30
BROOKSBY CIRCUIT (LOTS 1314-1318)	AP	14.00 MIN.	4.90	5.50	5.95	B2	SM2	3.65 MIN.	4.40
BROOKSBY CIRCUIT (LOTS 1318-1323)	A51	16.50	6.70	7.30	7.90	SM2	SM2	4.30	4.30
TRAFFORD / BRADGATE LANE	AL	8.00	4.00	-	-	-	-	2.00	2.00

SERVICES OFFSET SCHEDULE										
ROAD NAME	GAS		WATER		ELECTRICITY		NBN		SEWER	
	SIDE	OFFSET (m)	SIDE	OFFSET (m)	SIDE	OFFSET (m)	SIDE	OFFSET (m)	SIDE	OFFSET (m)
BROOKSBY CIRCUIT (LOTS 1309-1314)	SOUTH	2.30	SOUTH	2.80	NORTH	2.60	NORTH	1.85	-	-
BROOKSBY CIRCUIT (LOTS 1314-1318)	EAST	2.30	EAST	2.80	WEST	1.75	WEST	2.35	-	-
BROOKSBY CIRCUIT (LOTS 1318-1323)	SOUTH	2.30	SOUTH	2.80	NORTH	2.60	NORTH	1.85	SOUTH	1.00
TRAFFORD / BRADGATE LANE	WEST	1.00	WEST	1.50	EAST	1.10	WEST	0.50	EAST	2.50



SPRAY No.	CENTRE RADIUS (m)	ARC LENGTH (m)	TANGENT LENGTH (m)	I°	PIPELINE CURVE DETAILS					
					IP1	IP2	IP3			
#1	6.000	6.295	3.472	60.110°	EASTING	NORTHING	EASTING	NORTHING	EASTING	NORTHING
					285241.489	5829608.269	285241.053	5829604.825	285237.850	5829603.487

ISSUED FOR CONSTRUCTION

Global-Mark.com.au

Quality Management ISO 9001
 OHS Management AS/NZS 4801
 Environmental Management ISO 14001

REVISIONS

REV	DATE	AMENDMENT / REVISION DESCRIPTION	DESIGN	APPROVAL
0	04.07.17	ISSUED FOR CONSTRUCTION	LTNS	NH
1	08.09.17	BLOCKOUT SIZE IN PIT 4 AMENDED	LT	NH
2	20.09.17	TRAFFORD / BRADGATE LANE NBN OFFSET AMENDED	LT	NH

SMEC
 Member of the Surbana Jurong Group
 ABN 47 065 475 149
 Level 10, 71 Queens Road
 Melbourne, VIC 3004
 Ph 03 9514 1500

willandra

Willandra - Stage 13
 Melton City Council
 Road and Drainage
 Layout Plan

MELWAYS REF: 336 H1
 PROJECT / DRAWING No: 0277E-13-02
 SHEET No: 02 of 16
 REVISION: 2

WARNING
 BEWARE OF UNDERGROUND SERVICES
 The locations of underground services are approximate only and their exact position should be proven on site.
 No guarantee is given that all existing services are shown. Locate all underground services before commencement of works.
DIAL 1100 BEFORE YOU DIG
 www.1100.com.au